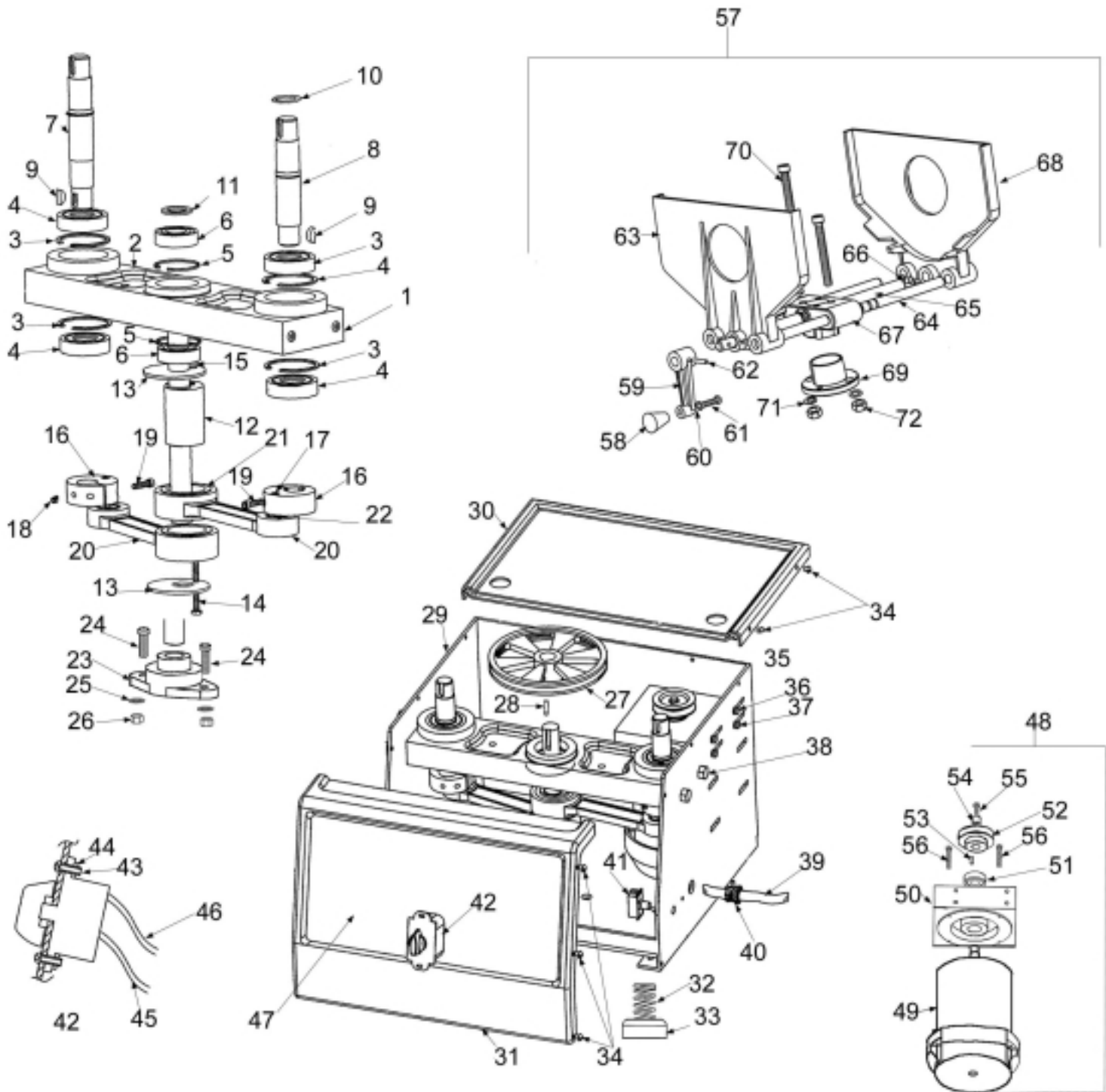


HERO S 2200 SHAKER



HERO S 2200 PARTS

REF #	PART #	DESCRIPTION
-------	--------	-------------

1	SH-1010	Dual Head Housing, c/w # 2 - 6
2	SH-1018	Dual Head Housing,
3	SH-1016	Snap Ring
4	SH-1013	Bearing, Clamp Shaft
5	SH-1017	Snap Ring, Crankshaft
6	SH-1014	Bearing, Crankshaft
7	SH-1075	Shaft Clamp, Left
8	SH-1085	Shaft Clamp, Right
9	SH-1180	Key, Woodruff
10	SH-1190	Snap Ring, Shaft Clamp
11	SH-1210	Washer
12	SH-1060	Crankshaft
13	SH-1050	Counterweight
14	HW1048P	Capscrew, 1/4NC x 3-1/4,
15	HW4020P	Nut, Hex, 1/4NC
16	SH-1045	Assembly, Crank, c/w #17-19
17	SH-1041	Dowel Pin, For Crank
18	HW2061	Setscrew, 8-32 x 1/2
19	HW1023	Capscrew, 5/16 NF x 1
20	SH-1020	Con-Rod, c/w # 16-22
21	39-2	Bearing, Needle
22	85-02	Bearing
23	SH-1110	Bearing, Crankshaft End, 1"
24	HW1084	Capscrew, 3/8NC x 1-1/4
25	HW5065P	Washer, Plate,
26	HW4052P	Nut, 3/8NC,
27	SH-1130	Pulley, Includes ref# 28
28	SH-1170	Key, Pulley, 1/4" x 7/8"
29	SH-4015	Frame, Dual Head
30	SH-4045	Shroud Top, Dual Head
31	SH-4055	Shroud Front, Dual Head
32	SH-4065	Assembly, Rubber Foot
33	67/14A	Foot Pad
34	HW30656P	Screw, Sheet Metal,
35	SH-1310	Drive Belt
36	HW5040P	Washer, 1/4 Lock,
37	HW1020P	Capscrew, HX HD, 1/4NC x 3/4

REF #	PART #	DESCRIPTION
-------	--------	-------------

38	HW1089P	Capscrew, 1/2NC x 3/4
39	SH-1270	Assembly, Power Cord
40	65/111	Connector, 1/2", 2 Screw
41	65/102	Switch, ON / OFF
42	SH-1150	Timer, c/w Black Knob
43	HW3040P	Screw, Machine, 10-32 x 5/8
44	HW4010P	Nut, Hex, 10-32
45	SH-1300	Wire, Timer to On / Off Switch
46	SH-1290	Wire, Motor to Timer
47	Dec-00	Decal S2200
48	SH-1250	Assembly, Motor, c/w #49-51
49	51002101	Motor, 1/3 HP
50	SH-1030	Endbell
51	SH-1031	Bearing, Motor
52	SH-1320	Sheave, Motor, c/w Set Screw
53	SH-1240	Key, Motor Sheave,
54	SH-1100	Spacer, Motor Sheave
55	HW1020P	Capscrew, 1/4NC x 3/4"
56	HW1040P	Capscrew, 1/4NC x 1-3/4",
57	SH-2100	Assembly, Can Clamping,
58	SH-2070	Knob, Clamp Handle
59	SH-2050	Handle, Clamp Head
60	SH-2090	Washer, Spring, Handle
61	HW30652P	Screw, 1/4-20 x 1-1/4
62	SH-2080	Spring Pin
63	SH-2010	Clamping Plate, Left
64	SH-2030	Guide Rod
65	SH-2040	Screw Rod
66	SH-2060	Snap Ring, Screw Rod
67	SH-2000	T - Block
68	SH-2020	Clamping Plate, Right
69	SH-1230	Bushing, 1", with key
70	HW1046	Capscrew, 1/4NC x 2-1/4
71	HW5040P	Washer, 1/4 Lock
72	HW4020P	Nut, Hex, 1/4NC,
73	SH-2110	Screw, Retainer Not shown