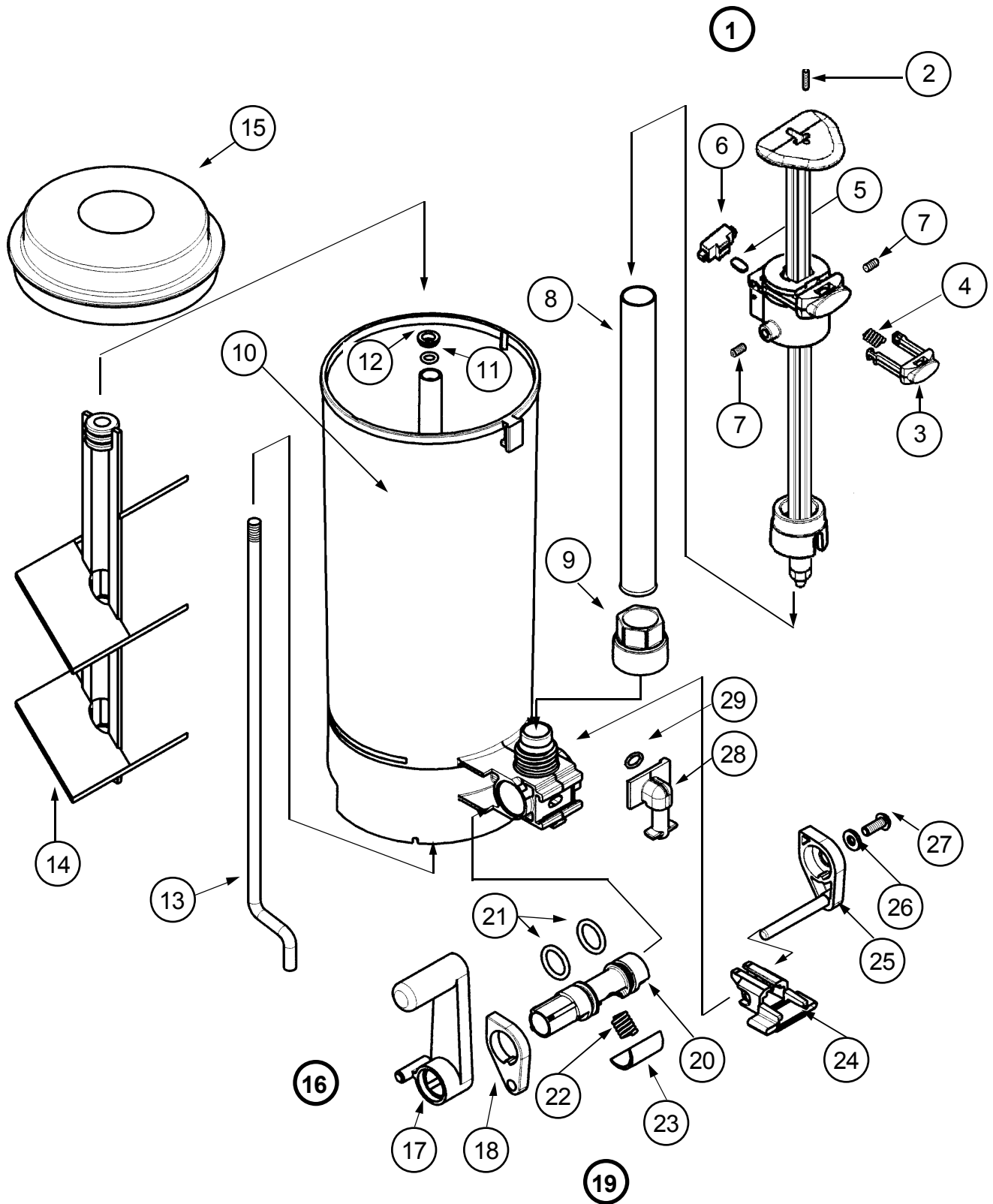


Canister Schematic – 18P



Canister Parts List – 18P

| Ref # | Part Number | Description | | Qty |
|--------------|--------------------|--------------------|---|-------------|
| | BK-1800 | Dispenser- | 18P Canister / Pump Assembly Less Gauge (Ref # 1 to 30 , as illustrated on page 24) | Assy |
| 1 | BK-xxx | Dispenser- | 18P Plunger / Endcap Assembly, Ref # 2 – 7 | Assy |
| 2 | HW2060 | Hardware- | Setscrew, 1/4-20 x 3/16, SS, Socket Head | 1 |
| 3 | BK-1039 | Dispenser- | 18P Locking Bar Button | 1 |
| 4 | BK-1031 | Dispenser- | 18P Spring, Gauge Lock Button | 1 |
| 5 | BK-1049 | Dispenser- | 18P Gauge Lock Plate | 1 |
| 6 | BK-1029 | Dispenser- | 18P Lock Bar | 1 |
| 7 | HW2060 | Hardware- | Setscrew, 1/4-20 x 3/16, SS, Socket Head | 2 |
| 8 | BK-xxx | Dispenser- | 18P Cylinder | 1 |
| 9 | BK-1079 | Dispenser- | 18P Cylinder Nut | 1 |
| 10 | BK-xxx | Dispenser- | 18P Canister, 1.5 Qt, Includes Ref # 11 & 12 | Assy |
| 11 | BK-1104 | Dispenser- | 18P O-Ring, Paddle Bushing | 1 |
| 12 | BK-1094 | Dispenser- | 18P Bushing, Canister Center Tube | 1 |
| 13 | BK-1114 | Dispenser- | 18P Paddle Drive Shaft | 1 |
| 14 | BK-xxx | Dispenser- | 18P Paddle Assembly | 1 |
| 15 | BL-1085 | Dispenser- | Lid | 1 |
| 16 | BK-xxx | Dispenser- | 18P Valve Barrel & Handle Assembly Includes Ref # 17 – 23 | Assy |
| 17 | BK-1154 | Dispenser- | 18P Handle | 1 |
| 18 | BK-1166 | Dispenser- | 18P Nozzle Wiper Arm Support | 1 |
| 19 | BK-xxx | Dispenser- | 18P Valve Barrel Assembly, Ref # 20 – 23 | Assy |
| 20 | BK-1141 | Dispenser- | 18 P Valve Barrel | 1 |
| 21 | BL-1150 | Dispenser- | O-Ring, Valve Barrel, Thiokol | 2 |
| 22 | BK- | Dispenser- | 18P Spring, Valve Barrel | 1 |
| 23 | BK-1142 | Dispenser- | 18P Valve Pressure Seal | 1 |
| 24 | BK-1164 | Dispenser- | 18P Nozzle Wiper | 1 |
| 25 | BK-1165 | Dispenser- | 18P Nozzle Wiper Arm | 1 |
| 26 | HW | Hardware- | Washer, | 1 |
| 27 | HW | Hardware- | Screw, | 1 |
| 28 | BK-1182 | Dispenser- | 18P Nozzle, .090 – Small | 1 |
| | BK-1183 | Dispenser- | 18P Nozzle, .125 – Medium | |
| | BK-1184 | Dispenser- | 18P Nozzle, .188 – Large | |
| 29 | BK-1181 | Dispenser- | 18P O-Ring, Nozzle Seal | 1 |
| 30 | HW30629P | Hardware- | Screw, Machine, #14 x 1", Type B, Phillips Canister Mounting Screws ** Not Shown ** | 3 |