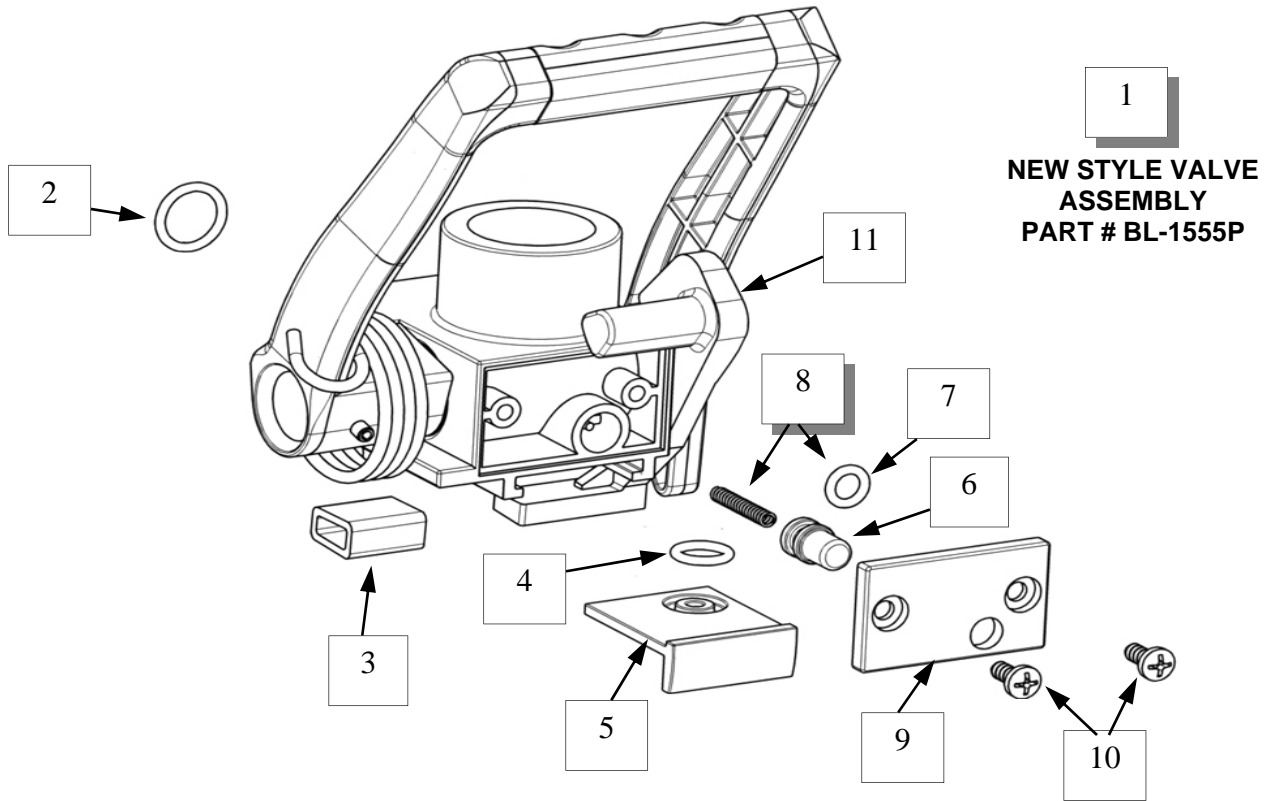


MANUAL DISPENSER - VALVE ASSEMBLY QUICK REFERENCE



1
NEW STYLE VALVE ASSEMBLY
PART # BL-1555P

ITEM #	PART #	DESCRIPTION
1	BL-1555P	VALVE ASSEMBLY INCLUDES ITEMS # 2 - 4, 7-13 VITON , (STANDARD)
2	BL-1136	VALVE BODY O-RING
3	BL-1176	WIPER PAD, VITON (STANDARD)
4	BL-1192	NOZZLE O-RING, VITON (STANDARD)
5	BL-1185 BL-1186 BL-1187 BL-1188	.094 SMALL NOZZLE (OPTIONAL) .125 MEDIUM NOZZLE (STANDARD) .188 LARGE NOZZLE (OPTIONAL) .220 X-LARGE NOZZLE (OPTIONAL)
6	BL-1405	ACCU-PURGE VALVE BUTTON
7	BL-1402	ACCU-PURGE O-RING, VITON (STANDARD)
8	BL-1620	ACCU-PURGE VALVE ACCESMBLY, VITON Includes Items 7&9
9	BL-1132	VALVE PLATE
10	HW30051P	VALVE PLATE SCREW, 2 REQUIRED PER VALVE
11	BL-1173	AUTO ACCU-PURGE, WIPER ARM

FACTORY LOCATED AT:
720 EATON WAY
DELTA, BC, CANADA
V3M 6J9



www.hero.ca sales@hero.ca

U.S.A CORRESPONDENCE
P.O. BOX 75
CUSTER, WA
98240-0075