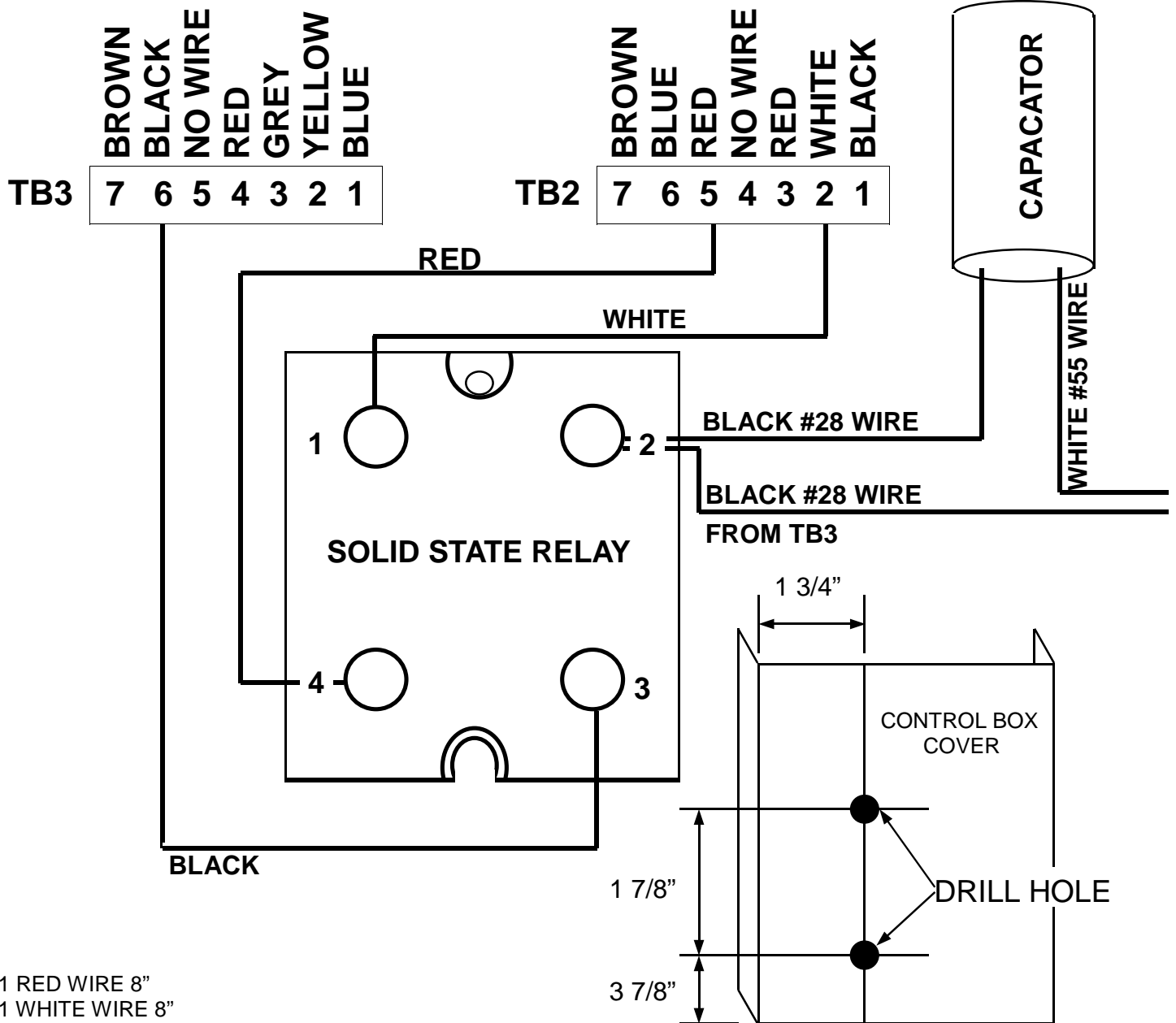


S2600 RELAY UPGRADE WIRING SCHEMATIC & INSTALLATION INSTRUCTIONS
SERIAL #'s 2300 - 4300
PART # S26-RELAY KIT



- 1 RED WIRE 8"
- 1 WHITE WIRE 8"
- 2 BLACK WIRE 8"

1. JOIN 8" RED WIRE FROM TB2 #5 TO #4 RELAY TERMINAL
2. JOIN 8" WHITE WIRE FROM TB2 #2 TO #1 RELAY TERMINAL
3. REMOVE TB3 #6 BLACK WIRE AND JOIN TO #3 RELAY TERMINAL
4. JOIN #6 BLACK WIRE FROM TB3 TO #2 RELAY TERMINAL

FACTORY LOCATED AT:
 2719 LAKE CITY WAY
 BURNABY, B.C. CANADA
 V5A 2Z6



www.hero.ca

sales@hero.ca

U.S.A CORRESPONDENCE
 P.O. BOX 75
 CUSTER, WASHINGTON
 98240-0075

PHONE: 604-420-6543

FAX: 604-420-8725

TOLL FREE: 800-494-4376