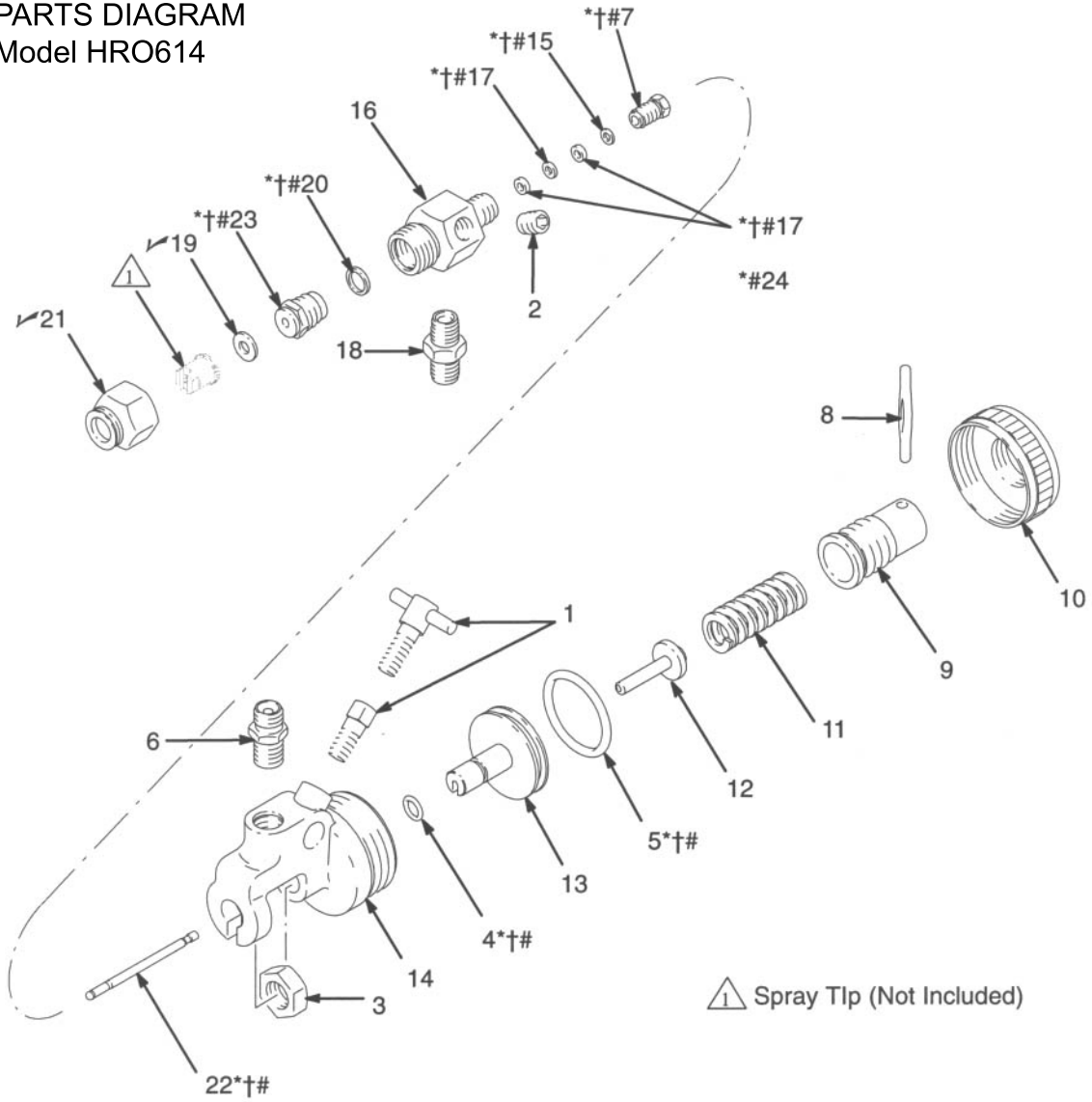
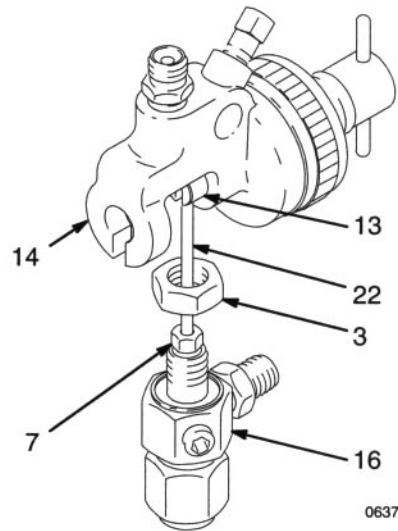
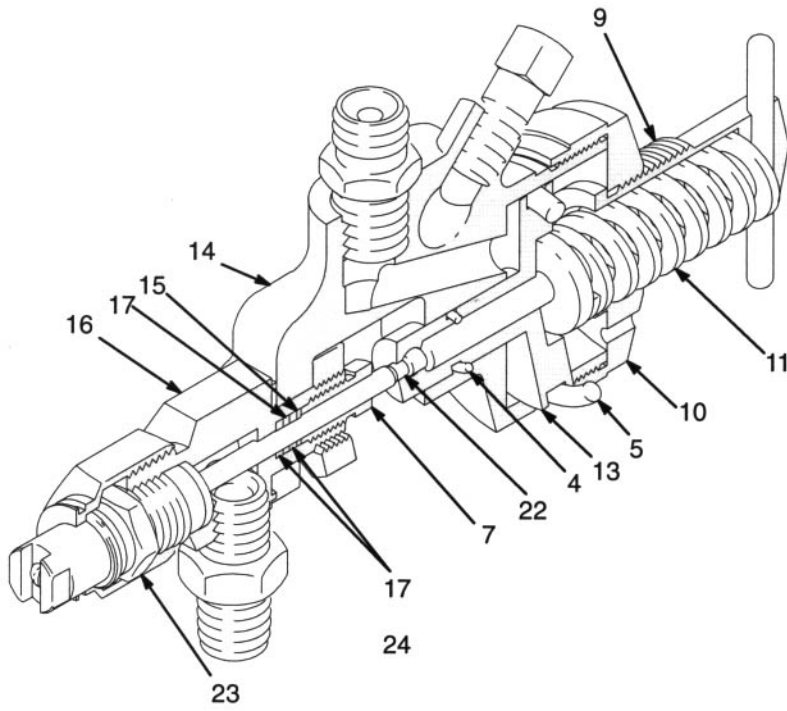


PARTS DIAGRAM
Model HRO614





06376