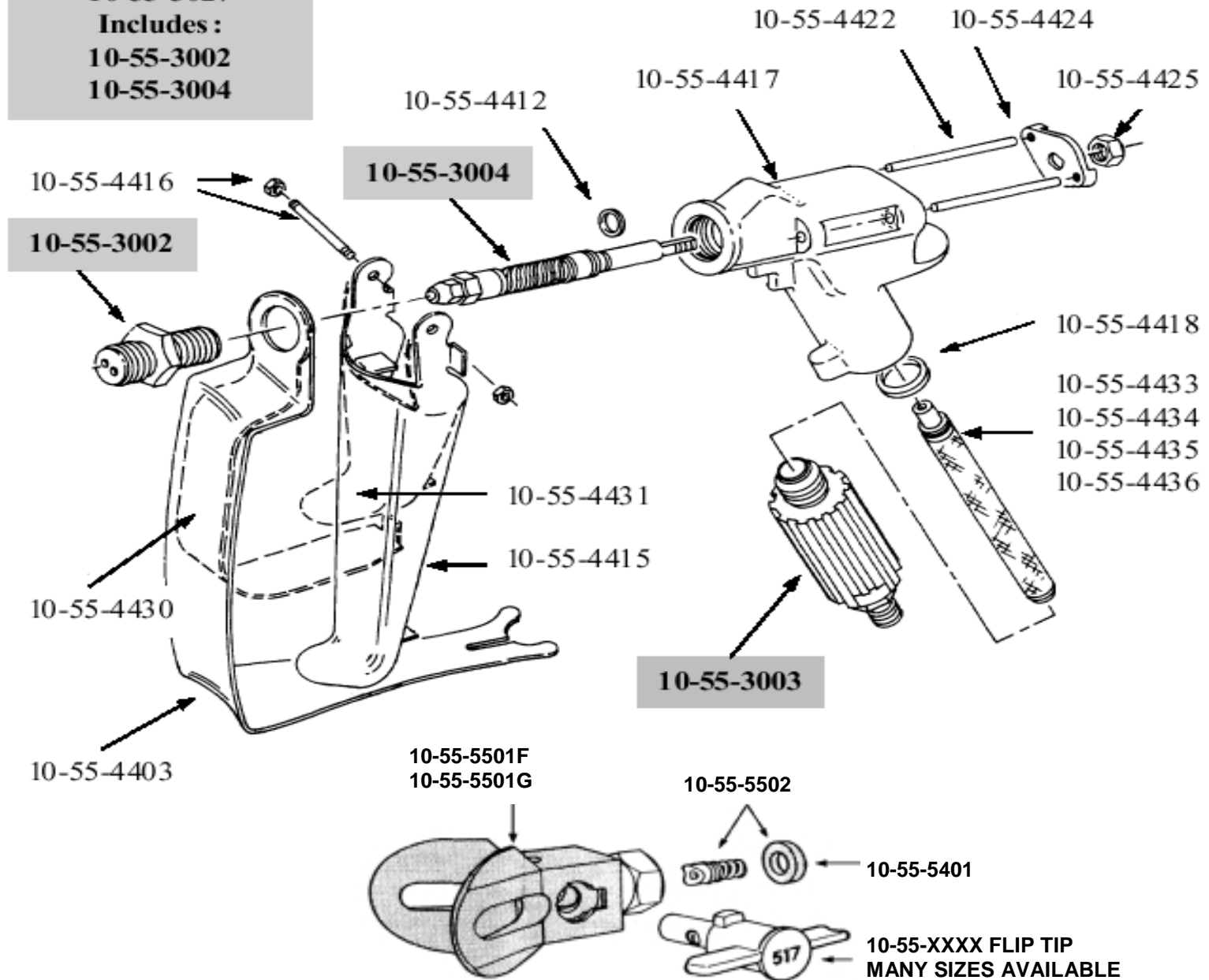


ASM MODEL 300 GUN

Repair Kit
10-55-3027
Includes :
10-55-3002
10-55-3004



10-55-3003	GUN HANDLE WITH SWIVEL	10-55-4435	200 MESH FILTER RED EXTRA FINE
10-55-3004	PLUNGER ASSEMBLY	10-55-4436	30 MESH FILTER GREEN EXTRA COURSE
10-55-3027	REPAIR KIT, INCLUDES 10-55-3002 DIFFUSER / SEAT, 10-55-3004 PLUNGER ASSEMBLY	10-55-5501F	WRENCH TIGHT FLIP TIP BASE ASSMEBLY, 11/16"
10-55-4418	GUN HANDLE SEAL	10-55-5501G	WRENCH TIGHT FLIP TIP BASE ASSEMBLY, 7/8"
10-55-4422	PUSH ROD SET (SET OF 2)	10-55-5502	WRENCH TIGHT FLIP TIP BASE REPAIR KIT
10-55-4424	PUSH ROD TREE	10-55-5701F	HAND TIGHT FLIP TIP BASE ASSMEBLY, 11/16"
10-55-4425	PLUNGER VALVE STEM NUT (3 PER PACK)	10-55-5701G	HAND TIGHT FLIP TIP BASE ASSEMBLY, 7/8"
10-55-4430	2 FINGER TRGGER GUARD	10-55-5707	HAND TIGHT FLIP TIP BASE REPAIR KIT
10-55-4433	50 MESH FILTER WHITE COURSE	10-55-5401	GUN WASHER
10-55-4434	100 MESH FILTER YELLOW FINE	10-55-XXXX	FLIP TIP, VARIOUS SIZES AVAILABLE