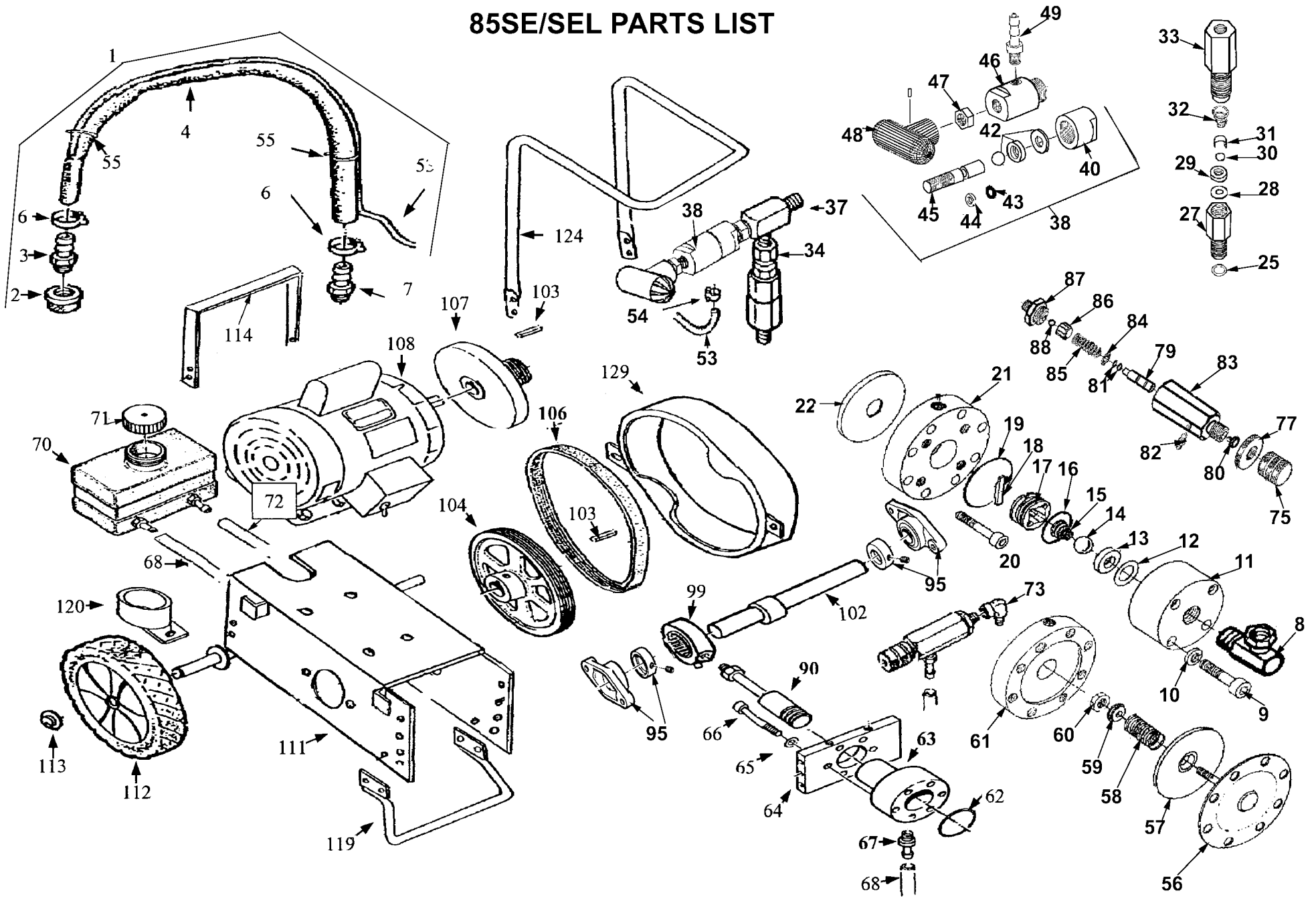


85SE/SEL PARTS LIST



85 SE/ SEL PARTS LIST

REF	PART #	DESCRIPTION	REF	PART #	DESCRIPTION
1	4-02-85-2500	SIPHON ASSEMBLY COMPLETE,	72	4-04-80-4500	RETURN LINE
2	187A	SCREEN, Siphon, Coarse	73	25-2	ELBOW
3	02-250-2107	FITTING, Screen - Hose	74	4-727C	PRESSURE CONTROL, Complete
4	4-02-250-2516	HOSE, Siphon, 42"	75	4-27C-7	KNOB, P.C., Includes Ref# 76
5	02-250-2108	CLIP, Siphon Hose, NOT SHOWN	76	HW2010	SETSCREW, SKT. HD.
6	1/75-3	CLAMP	77	27C-6	LOCK NUT, Aluminum, P.C.
7	667-27	BARB, Hose - Elbow	78	4-27C-10	STEM ASSEMBLY (Ref# 79-81)
8	667-26	ELBOW	79	27C-10A	STEM, P.C.
9	HW1087	CAPSCREW, SKT HD,	80	27C-10B	SCREW, Stem, P.C.
10	03/2/2000	WASHER, 3/8" Lock	81	27C-12	O-RING, P.C.
11	4-02-22-2502B	ENDCAP, Hydrapulse, Gold	82	4-27C-11	FITTING, Oil Return,
12	02-22-2009B	WASHER, Crush	83	27C-8	BODY, P.C.
13	6	SEAT, 3/4" Tungsten Carbide	84	27C-9	CIRCLIP, P.C.
14	17S	BALL, 3/4", Corrosion Resistant	85	27C-5	SPRING, P.C.
15	02/22/2005	SPRING	86	27C-4	RETAINER, P.C.
16	02/22/2006	O-RING, Urethane	87	27C-3	SEAT, P.C.
17	02/22/2002	BALL GUIDE	88	27C-2	BALL, Steel
18	02/22/2001	BALL STOP	89	4-27CRK	REPAIR KIT, Ref# 85-88
19	5V	O-RING, Viton	90	4-738A/150	PISTON & ROD ASSEMBLY, 1"
20	3	CAPSCREW, SKT HD, 5/16 x 1-3/4"	91	4-37A/150	SEAL SET, Piston, 1"
21	4-02-22-2501	HEAD, Material, Hydrapulse, Gold	92	4-38A/150-1	PISTON, Only, W/O Seals, 1"
22	02/22/2004	CUSHION, Material Head	93	38A-3	SEAT, Piston, Bronze
23	4-6658B	REPAIR KIT (Ref# 12, 14-15, 19)	94	4-38A-2	ROD, Piston, COMPLETE
24	4-6659B	OVERHAUL KIT (Ref# 12-19)	95	42	BEARING, Crankshaft Side
25	7C	WASHER, Copper Crush	96	HW1055	BOLT
26	4-11A	OUTGO VALVE COMPLETE,	97	HW5060P	WASHER
27	11A-1	LOWER, Valve Body	98	HW4030P	NUT, HX. HD, 5/16
28	11A-3CP	WASHER, Copper Crush	99	4-739	ECCENTRIC BEARING COMPLETE
29	11A-4	SEAT, 3/8, Tungsten Carbide	100	739-2	BEARING, Eccentric, Outer
30	11A-5	BALL, Nylon, 3/8	101	4-739-3	Holder, Eccentric, C/W Zerk
31	11A-6	CAGE	102	05-80-5001	CRANKSHAFT
32	11A-7	SPRING	103	04/1/1949	KEYSTOCK,
33	11A-2	VALVE BODY, Upper	104	4-765/100	SHEAVE, Pump,
34	20	SWIVEL	105	HW2020	SET SCREW, SKT. HD.
35	4/1/6654	REPAIR KIT (Ref# 25, 28, 30-32)	106	05-85-5101	BELT.
36	4/1/6655	OVERHAUL KIT (Ref# 25, 28-32)	107	4-748/100	SHEAVE, Motor,
37	13-1	TEE, Female x Male x Male	108	4-761/70	MOTOR .75 H.P. C/W Switch & Cord.
38	4-606	BLEED VALVE COMPLETE	109	HW1050P	CAPSCREW, HX HD, 5/16 x 1/2
39	14A	CONNECTOR, 1/4 x 1/4	110	HW5050P	WASHER, 5/16
40	606-2	BODY, Bleed Valve	111	4-06-80-6500	FRAME
41	11A-5S	BALL, Stainless Steel	112	67/15B	WHEEL
42	4-606RK	REPAIR KIT, P.V. (Ref# 28, 29, 41)	113	HW6082	CAP, Axle Hat
43	606-8	O-RING, Bleed Valve Stem	114	4-06-80-6502	HANDLE, Rear
44	606-15	WASHER, Back-Up	115	HW1060P	CAPSCREW, HX HD, 5/16 x 3/4
45	606-10	STEM	116	HW5050P	WASHER, Flat
46	606-1	HOUSING	117	HW5060P	WASHER, Lock
47	HW4053	NUT, Jam, 3/8 NC	118	HW4030P	NUT
48	4-606-9	HANDLE "T", Complete with pin	119	4-06-80-6503	LEG, Front
49	603-6	BARB	120	214	HOLDER, Siphon
50	603-12	LABEL, "Close Tightly After Prime"	121	HW1020P	CAPSCREW, HX HD, 1/4 x 3/4
51	606-12	LABEL, "Max WPR 4000 PSI"	122	HW5040P	WASHER, Lock
53	4-03-250-3505	HOSE, P.V. Return Line	123	HW4020P	NUT
54	196	CLAMP	124	06-99-0007	HANDLE, Front
55	188	TIES	125	HW1060P	CAPSCREW, HX HD, 5/16 x 3/4
56	4-04-22-4500	HYDRAPULSE MEMBRANE	126	HW5050P	WASHER, Flat
57	04/22/4001	HORN, Plastic	127	HW5060P	WASHER, Lock
58	04/22/4005	SPRING	128	HW4030P	NUT
59	04/22/4004	LOCATOR	129	4-713-1	BELTGUARD, C/W Brackets
60	HW4032	NUT, 5/15NC Hex Ny-Lock	130	HW1050P	CAPSCREW, HX HD, 5/16 x 1/2
61	4-04-22-4501	HEAD, Hydrapulse, Gold	131	HW5050P	WASHER, Flat
62	5	O-RING	132	4-06-85-6505	HANDLE, Removable
63	24/150	CYLINDER, 1",	133	4-06-85-6506	BRACKET
64	835A	CROSSBLOCK, Aluminum,	134	06-85-6103	KNOB
65	HW1079	CAPSCREW,	135	67/12	GRIP, Handle
66	HW5050P	WASHER, 5/16" SAE		603-12	LABEL "Close Tightly After Prime"
67	4-785	VACUUM VALVE,		65/116	CAUTION, Motor, Yellow Print on Red
68	4-04-80-4501	FEED LINE		98	WARNING, "High Pressure"
69	745-5	CLAMP, Oil Lines,		DEC-85SE	85SE, "Quality By Design"
70	4-745B	TANK, Complete		DEC-85SEL	85SEL, "Quality By Design"
71	4-45-2	LID, Hydraulic Tank			